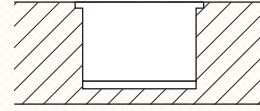
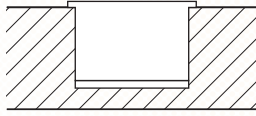


Einbauvarianten
Installation options

Bund aufliegend / On the surface

Bund flächenbündig / Flush with the surface



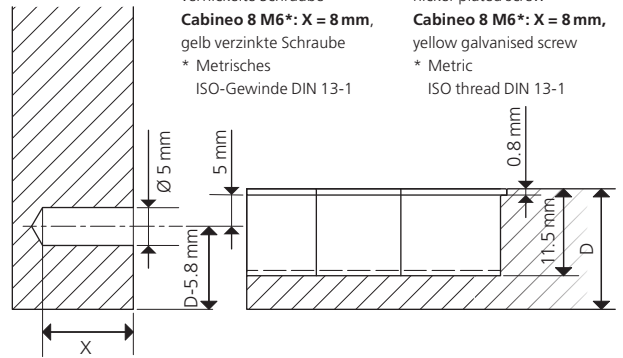
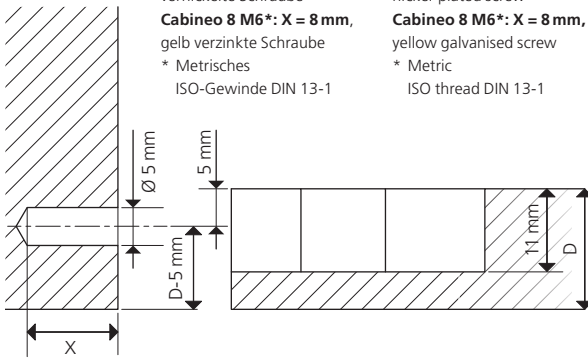
Bearbeitungsvarianten
Machining options

Cabineo 8: X = 8 mm,
schwarze Schraube
Cabineo 12: X = 12 mm,
vernickelte Schraube
Cabineo 8 M6*: X = 8 mm,
gelb verzinkte Schraube
* Metrisches
ISO-Gewinde DIN 13-1

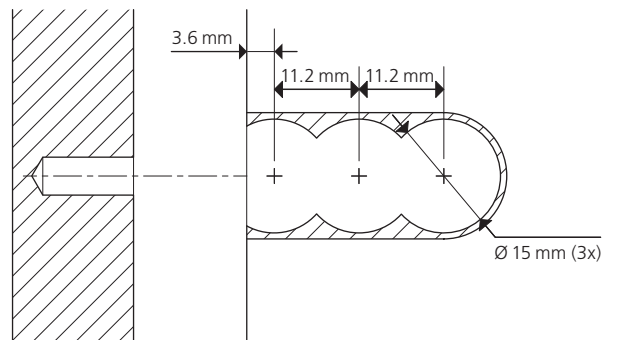
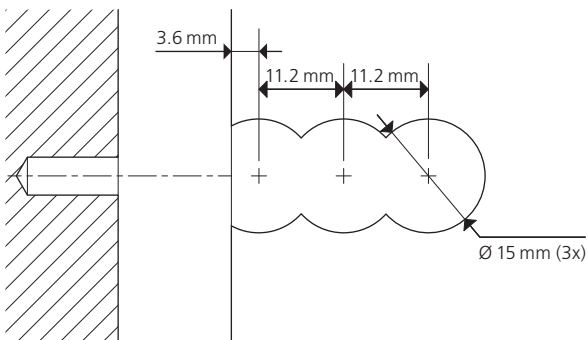
Cabineo 8: X = 8 mm,
black screw
Cabineo 12: X = 12 mm,
nickel-plated screw
Cabineo 8 M6*: X = 8 mm,
yellow galvanised screw
* Metric
ISO thread DIN 13-1

Cabineo 8: X = 8 mm,
schwarze Schraube
Cabineo 12: X = 12 mm,
vernickelte Schraube
Cabineo 8 M6*: X = 8 mm,
gelb verzinkte Schraube
* Metrisches
ISO-Gewinde DIN 13-1

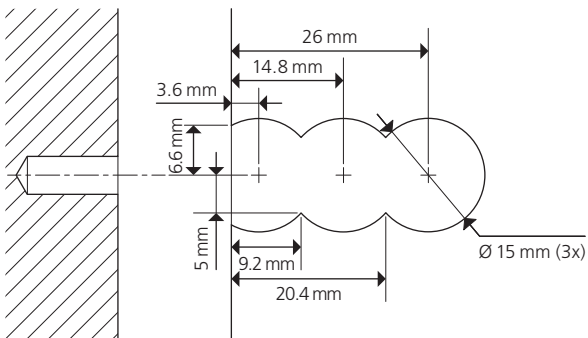
Cabineo 8: X = 8 mm,
black screw
Cabineo 12: X = 12 mm,
nickel-plated screw
Cabineo 8 M6*: X = 8 mm,
yellow galvanised screw
* Metric
ISO thread DIN 13-1



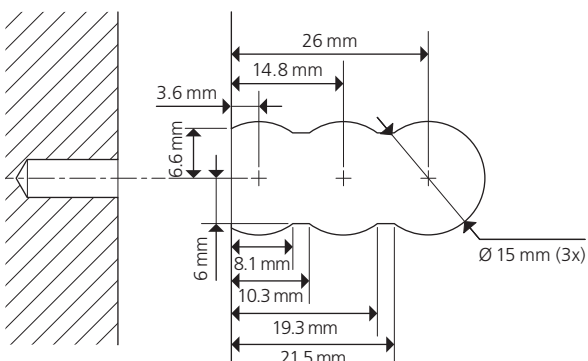
Bohrer 15 mm
Drill 15 mm



Fräser Ø 10 mm
Cutter Ø 10 mm

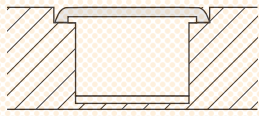


Fräser Ø 12 mm
Cutter Ø 12 mm

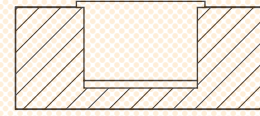


Einbauvarianten
Installation options

Abdeckkappen flächenbündig / Flush cover cap



HPL-Bund aufliegend / HPL on the surface



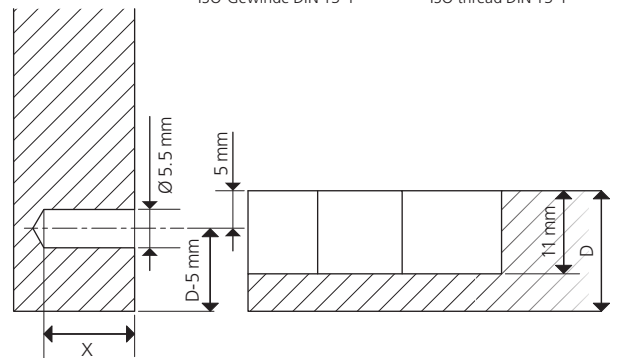
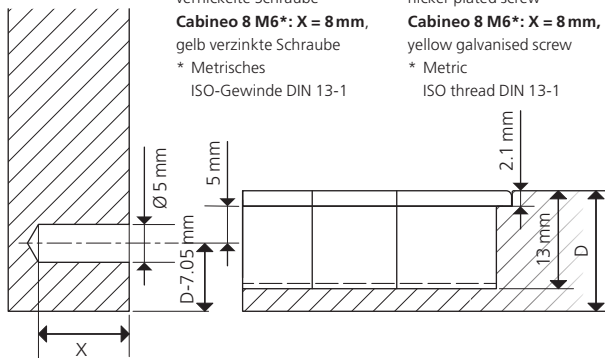
Bearbeitungsvarianten
Machining options

Cabineo 8: X = 8 mm,
schwarze Schraube
Cabineo 12: X = 12 mm,
vernickelte Schraube
Cabineo 8 M6*: X = 8 mm,
gelb verzinkte Schraube
* Metrisches
ISO-Gewinde DIN 13-1

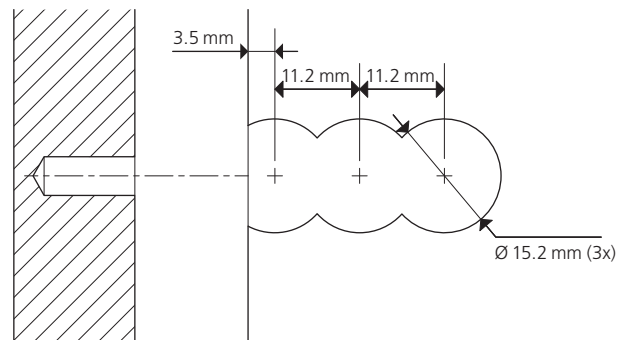
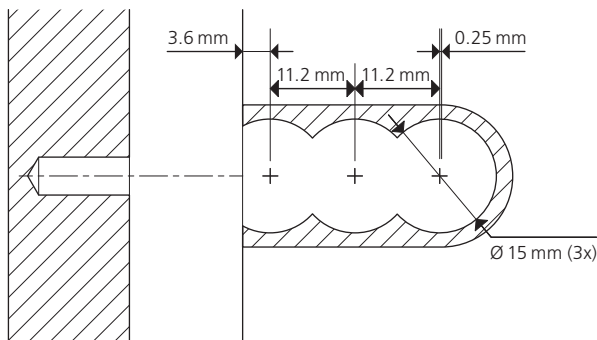
Cabineo 8: X = 8 mm,
black screw
Cabineo 12: X = 12 mm,
nickel-plated screw
Cabineo 8 M6*: X = 8 mm,
yellow galvanised screw
* Metric
ISO thread DIN 13-1

Cabineo 8 M6*: X = 8 mm,
gelb verzinkte Schraube
* Metrisches
ISO-Gewinde DIN 13-1

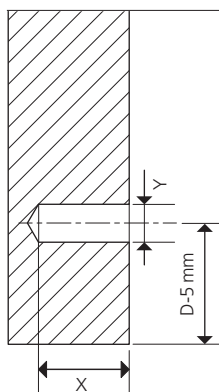
Cabineo 8 M6*: X = 8 mm,
yellow galvanised screw
* Metric
ISO thread DIN 13-1



Bohrer 15 mm
Drill 15 mm



Bearbeitung Cabineo Muffe / Machining Cabineo Insert



	X	Y = Ø
	[mm]	[mm]
Cabineo 8 M6*	8	5
Muffe / Insert M6 x 12.3	13.5	8
Muffe / M6 x 15.3	16.5	8

*Metrisches ISO-Gewinde DIN 13-1 /

*Metric ISO thread DIN 13-1