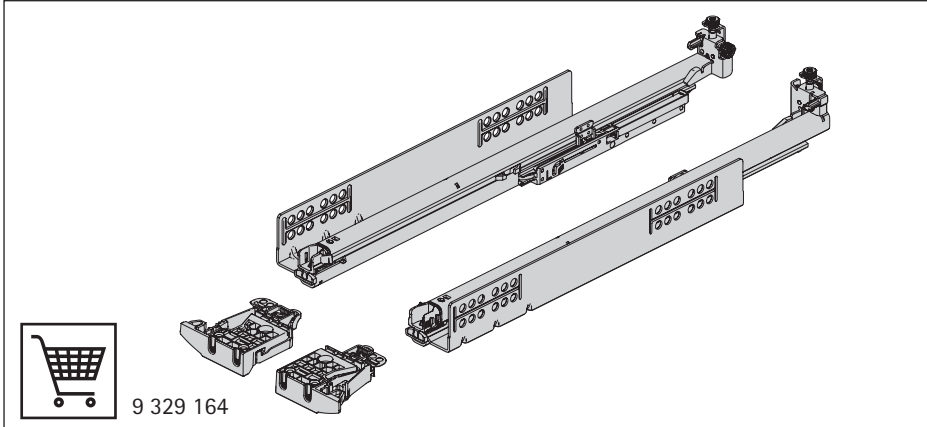


Quadro V6 5D

Silent System / Push to open



i

www.hettich.com/short/lic2aq0

PZ 2

ø 3,5 x 20

ø 3,5 x 16

ø 6 x 14

ø 4 x 16

i

ø 6 x 14

ø 4 x 16

$SKL = (NL - 10) \pm 0,5$

≤ 600

38

37 32 b_1 32

$LT = NL + 3$

0 Silent System

37 32

4 Push to open

NL mm	b1 mm
250	160
270	160
300	160
320	224
350	224
380	224
400	224
420	224
450	256
480	256
500	256
520	256
550	256
600	256

i

ø 6,3 x 14

ø 4 x 16

≥ 7

$SKW = (LB - 42) - 1,5$

≥ 50

ø 6,3 x 14

ø 4 x 16

21 ≤ 16 7 $\phi 6 \times 10$ 11

12 $9,5$ $12-13$ 38 $\geq 1,25$ Push to open Silent

LB

$7,5$ 31 24 75

ø 4 x 40

NL - 20 mm

20 $27,5$ 9 8

